

Tomboy (Modell 2016)

Customer Support Sheet

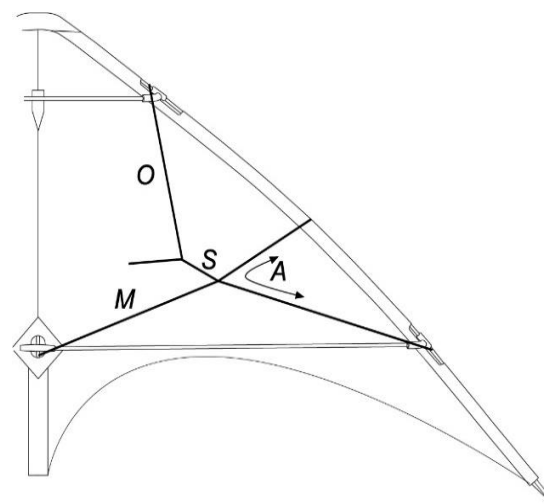


SKU 20009



SKU 20026

Bridle



O 535 mm
 S 20 mm
 A 900 mm
 M 535 mm
 Material 45 kp Polyester

General Info

Wing Span 195 cm
 Height 90 cm
 Sail 40 D Nylon
 Wind Range 2 – 5 Bft.
 Level Beginner, advanced
 Category Allround
 Delivery rtf
 Flying Lines 70 kg Dyneema, 25m
 Whist straps

Frame

Tube/Rod	Name	#	Length (mm)
Upper Leading Edge	Hybrid tube 6mm	2	650
Lower Leading Edge	Hybrid tube 6mm	2	650
Spine	Hybrid tube 6mm	1	760
Upper Spreader	Hybrid tube 6mm	1	445
Lower Spreader	Hybrid tube 6mm	1	650
Standoff	Fiberglass 3mm	2	235

Parts

Position	Name	#
Upper Leading Edge	Leading edge connector 6/6	2
Lower Leading Edge	Leading edge connector 6/6	2
Wing tip	Split nock 6mm	2
End of spine	Vinyl tube	1
Standoff Spreader	Standoff Spreader 6mm	2
Standoff Sail	Standoff Sail with screw 3mm	2
Center Tee	Center Tee 6mm	1
	Rubber ring 6 mm	
Spine / upper spreader		2
Leading edge ferrule	Aluminium ferrule 6mm	2
	Stopperclips	6 mm
	End cap	6 mm

Further information

recom. Flying lines
 2 - 3 Bft Dyneema 50 DaN, 25m
 4 - 5 Bft Dyneema 70 DaN, 25m

